

FIBRECAST SHIPLAP MODULE EDGE GRAIN (SLM-EG)

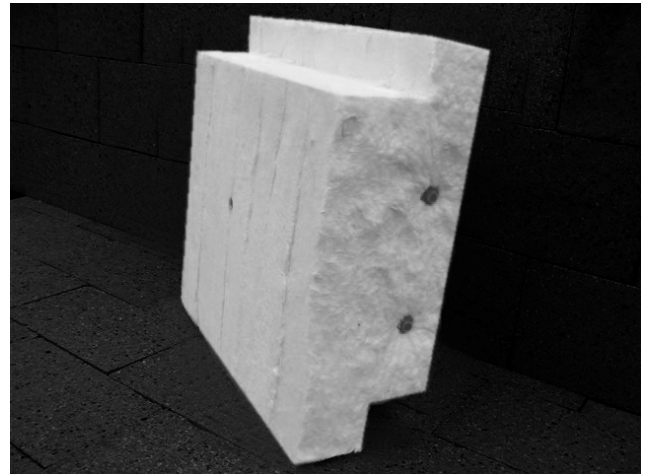
The FibreCast Shiplap Module (SLM-EG) is an edge-grain fibre module designed with a unique shiplap to compensate for shrinkage without the use of batten strips or parquet construction techniques.

They are constructed from high purity spun ceramic fiber blanket. The SLM-EG incorporates a one-shot weld and bolt system complete with #304 stainless steel weld pin, yoke and two (2) support tubes.

The fiber blanket layers are secured with plastic retainer caps on the end of the support tubes.

The SLM-EGs can also be manufactured using Hi-Alumina, soluble or mineral wool fibers to meet any design condition. Hardware can be adjusted for a self-tapping screw, threaded stud or power actuated charge shot.

Two (2) standard sizes are available: an oversize 16" by 16" for wall/floor construction and a 12" by 16" for overhead areas. This system allows for reduced material costs per square foot and a much improved installation time.



AVERAGE CHEMISTRY

	<u>HP</u>	<u>ZR</u>
Al ₂ O ₃	45%	30%
SiO ₂	55%	53%
ZrO ₃	-	16%
Other	Trace	Trace

TEMPERATURE USE LIMITS

	<u>DESIGN</u>	<u>OPERATING LIMIT *</u>
HP	2300°F	2150°F
ZR	2600°F	2450°F

* Thickness & Density dependent.

SHRINKAGE (%)

	<u>HP</u>	<u>ZR</u>
@ 1600°F	0.5	-
@ 1800°F	1.0	-
@ 2000°F	2.0	1.5
@ 2200°F	-	2.4
@ 2400°F	-	2.8

SPECIFICATIONS (SLM-EG)

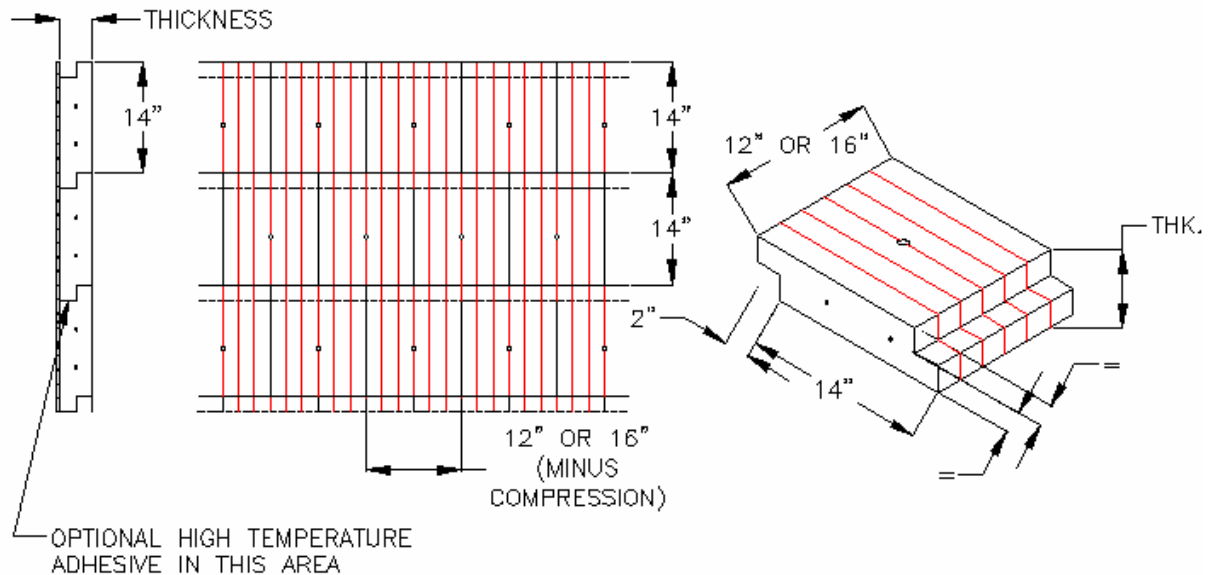
SIZES:	16" x 16" Nominal; 1 SLM covers 1.5 SF
	12" X 16"; 1 SLM covers 1.15 SF
THICKNESSES:	4" to 12", in 1" increments
DENSITIES:	6, 8 & 10 PCF
ANCHOR SYSTEM:	1SAS, STS, TS, PACS

PRICING & ORDER INFORMATION

TYPE – THK. – SIZE – FIBRE TYPE – DENSITY – ANCHOR SYSTEM

e.g. SLM-EG – 6" – 16" X 16" – HP – 10# - 1SAS

TYPICAL INSTALLATION



Data listed are average and are subject to variation. Results should not be used for specification purposes. Subject to change without notice.

FibreCast Inc.,
3264 Mainway,
Burlington, Ontario L7M 1A7 Canada

Telephone: 905-319-1080
Fax: 905-319-7611
E-mail: sales@fibrecast.com

MADE IN CANADA